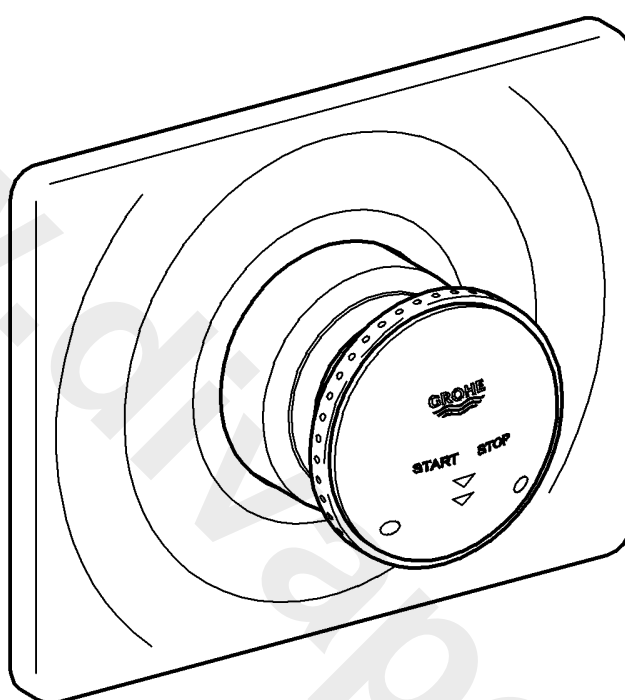
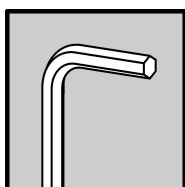


36 121



Contromix

Contromix

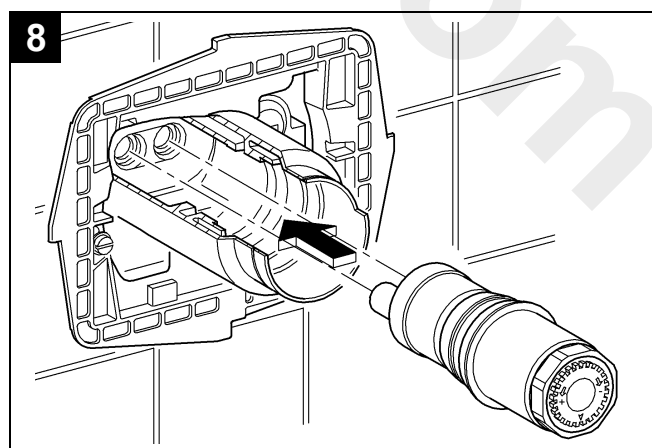
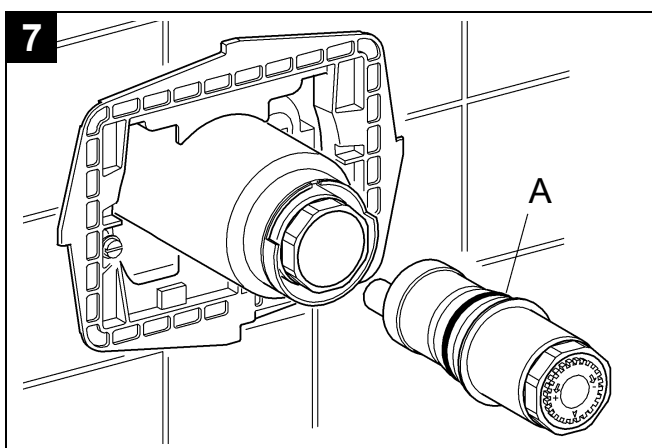
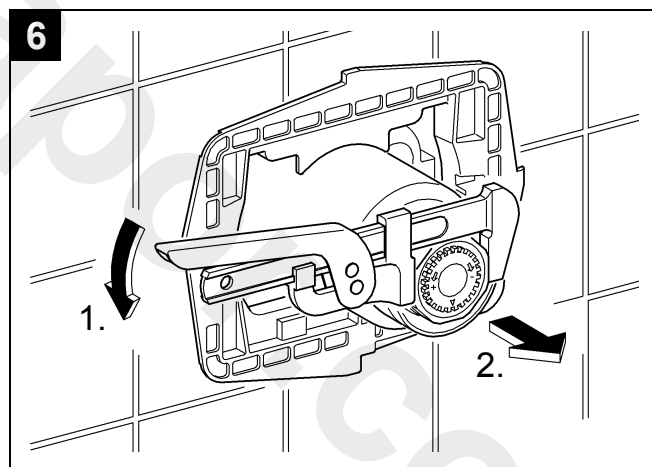
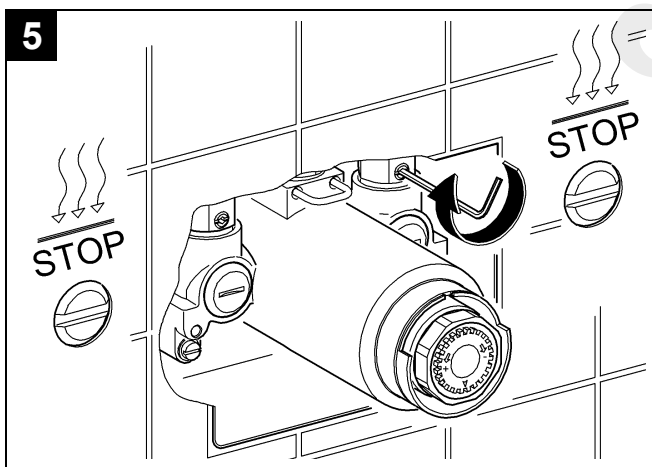
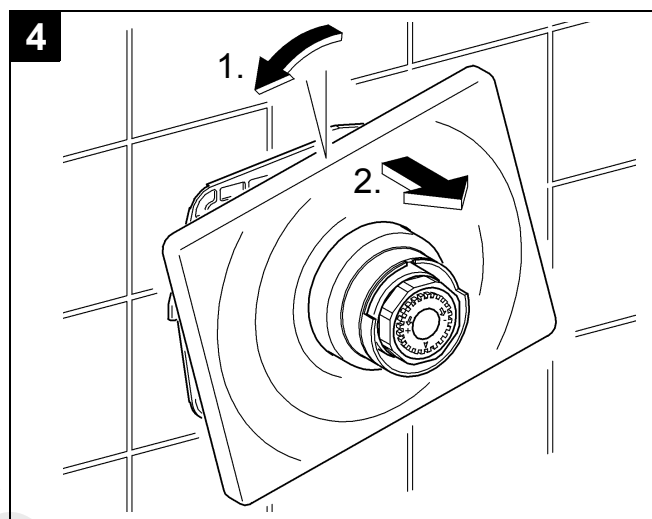
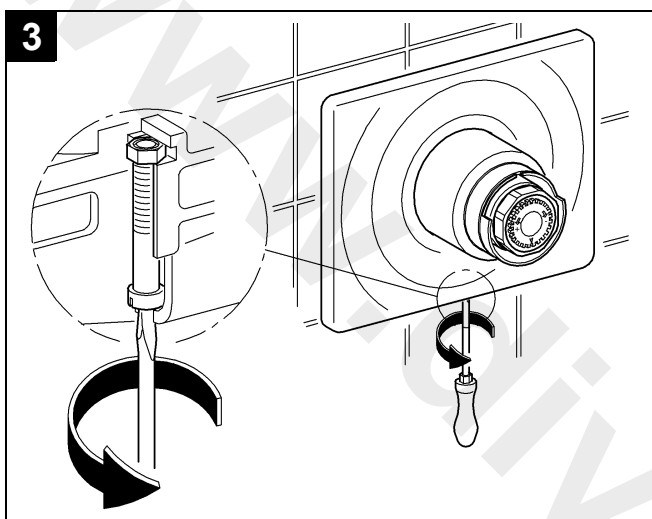
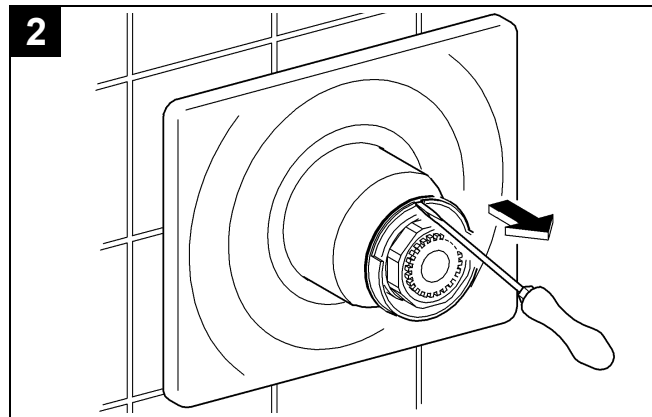
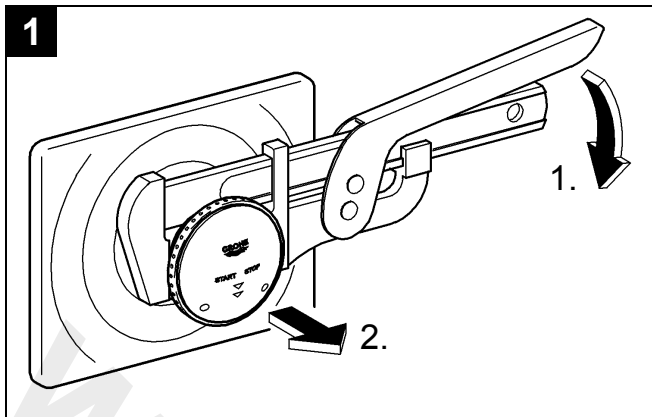
- | | |
|------------------|------------------|
| D1 | I2 |
| GB1 | E2 |
| F1 | TR3 |
| NL2 | |

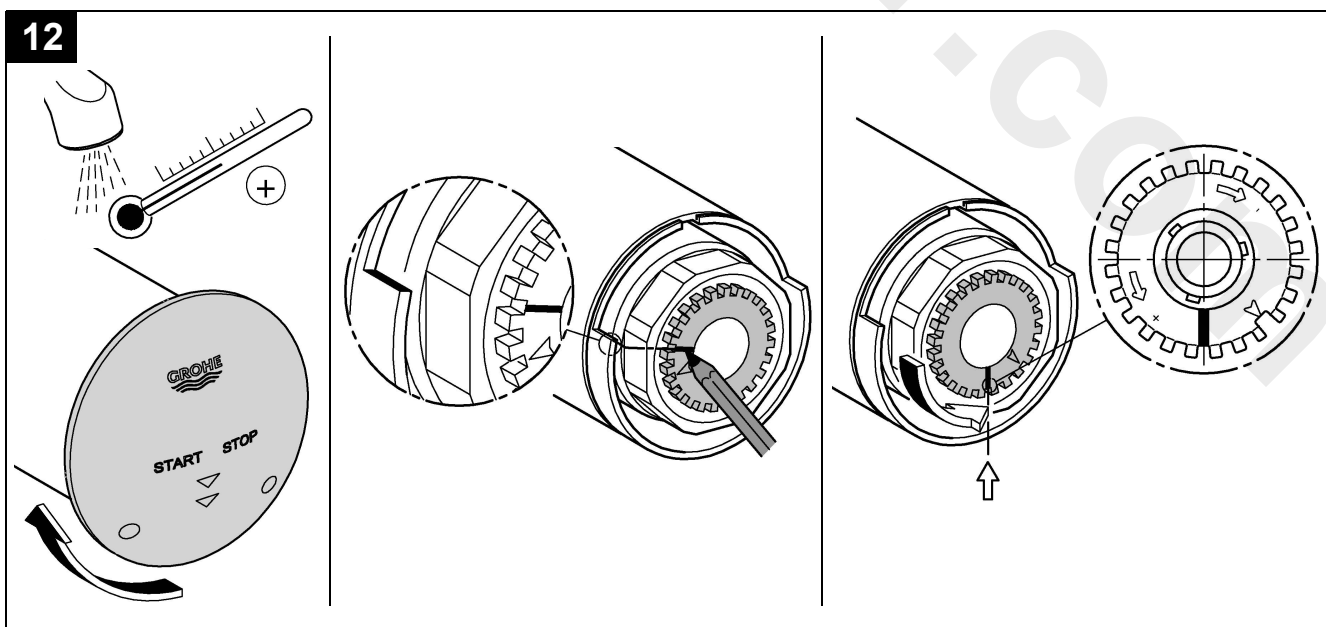
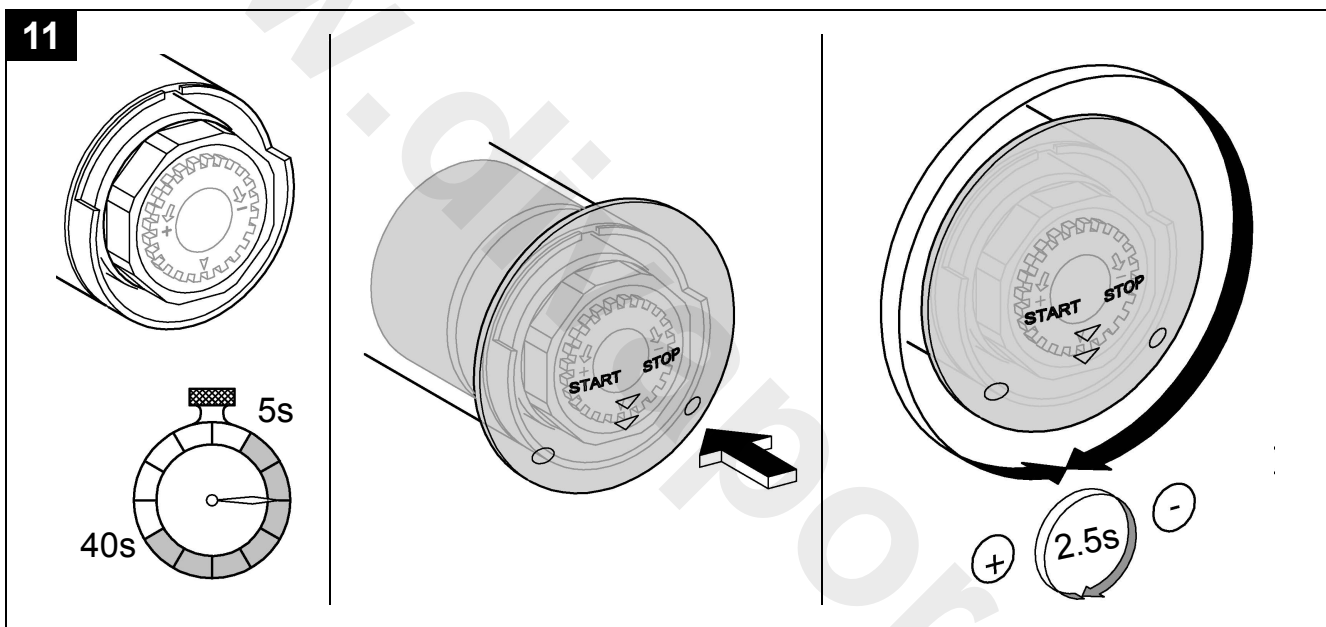
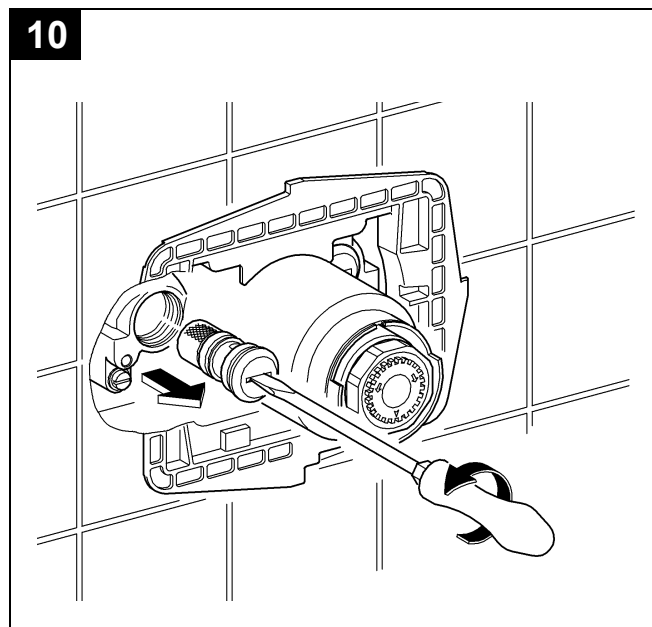
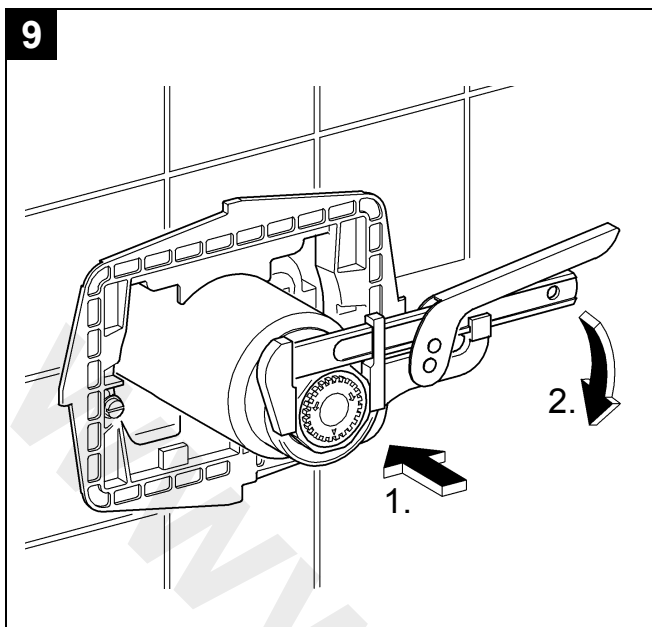
Design + Engineering GROHE Germany

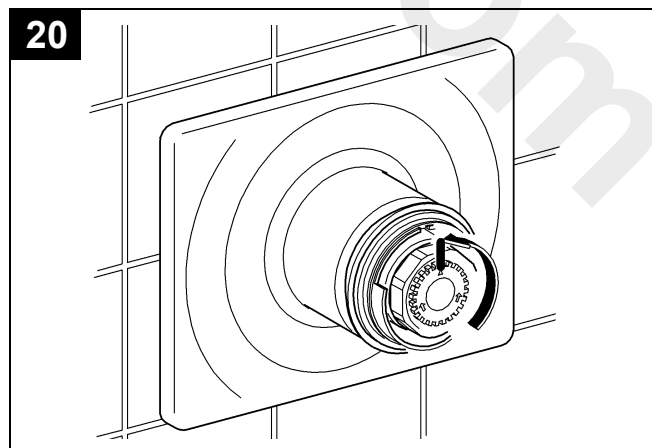
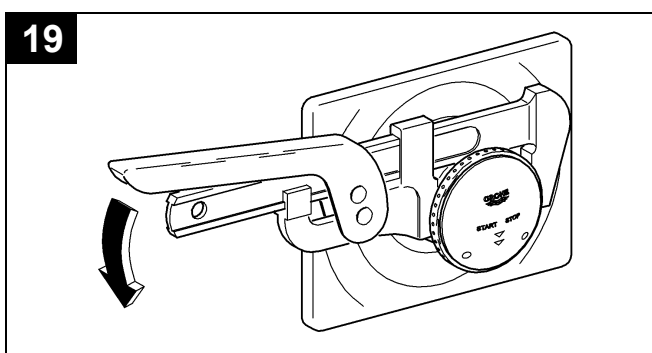
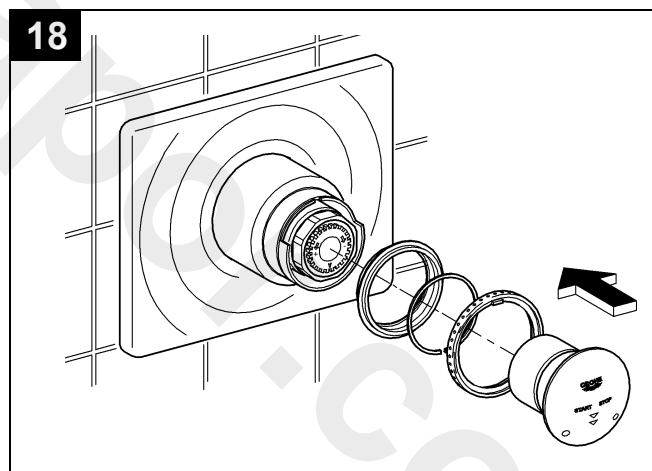
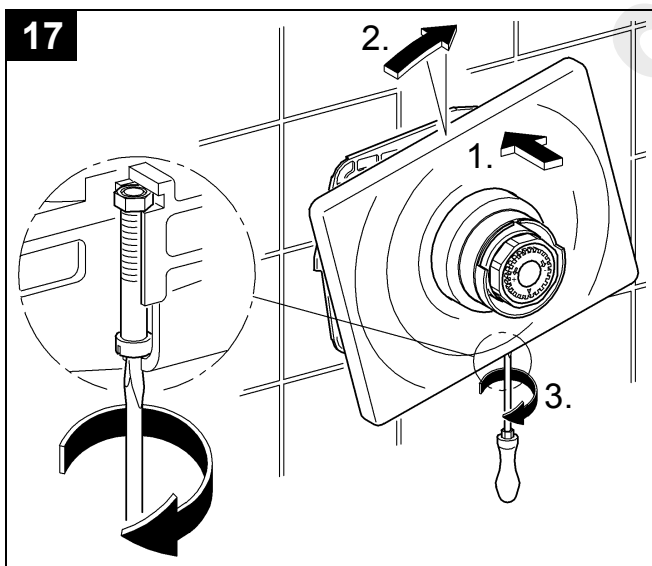
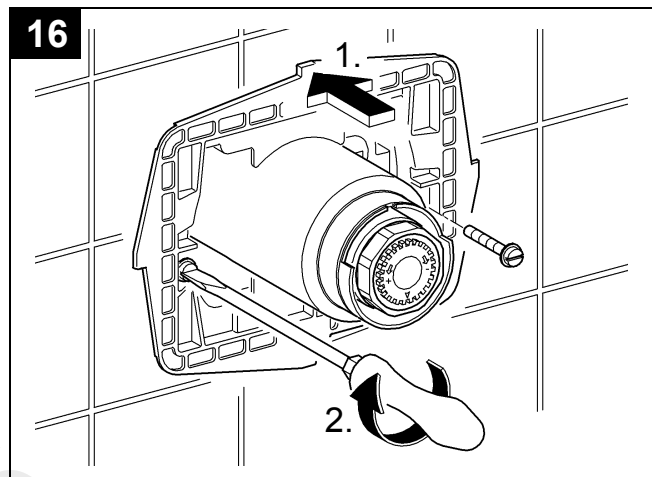
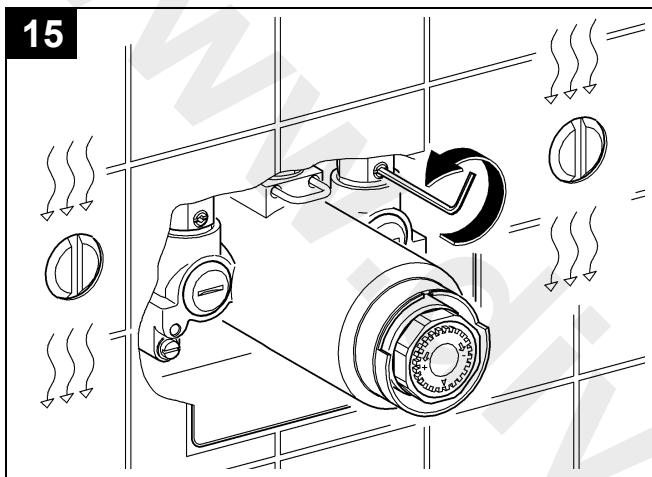
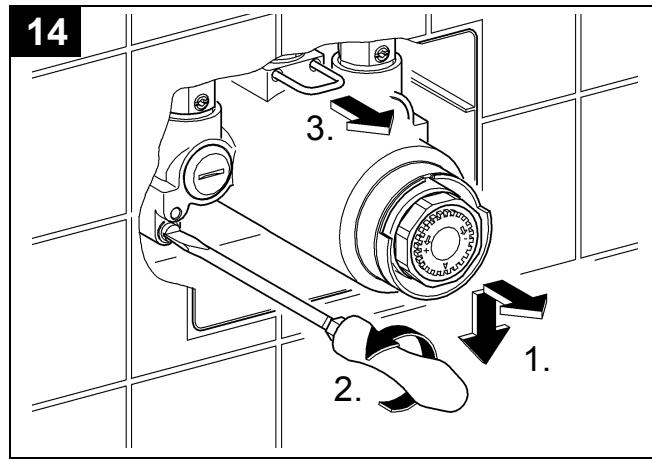
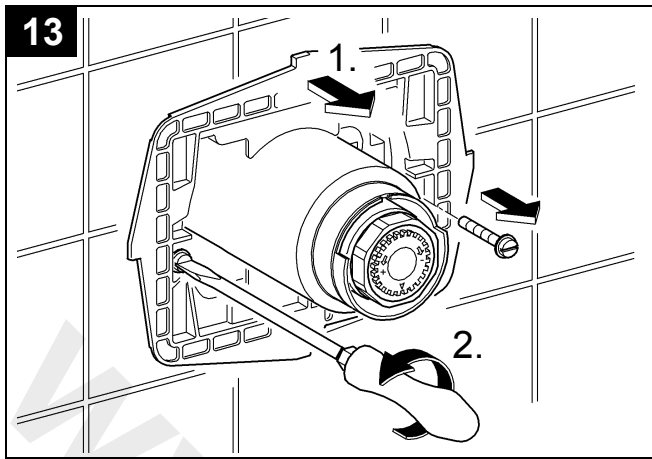
22.49.6800/ÄM 225977/03.14

GROHE

ENJOY WATER®







D

Störung	Ursache	Abhilfe
Armatur schließt nicht	<ul style="list-style-type: none"> • Durchfluss zu gering • Kartusche defekt • O-Ring (A) beschädigt 	<ul style="list-style-type: none"> - prüfen - Kartusche und ggf. O-Ring austauschen, siehe Abb. [1-9] - austauschen, siehe Abb. [7]
Armatur öffnet nicht	<ul style="list-style-type: none"> • Vorabsperrventile geschlossen • Kartusche defekt 	<ul style="list-style-type: none"> - öffnen, siehe Abb. [15] - Kartusche und ggf. O-Ring austauschen, siehe Abb. [1-9]
Laufzeit zu kurz oder zu lang	<ul style="list-style-type: none"> • Einstellung falsch • Kartusche defekt 	<ul style="list-style-type: none"> - Laufzeit einstellen, siehe Abb. [11] - Kartusche und ggf. O-Ring austauschen, siehe Abb. [1-9]
Durchfluss zu gering	<ul style="list-style-type: none"> • Schmutzsiebe verstopft • Vorabsperrventile gedrosselt • Brausekopf verkalkt 	<ul style="list-style-type: none"> - reinigen, siehe Abb. [10] - öffnen, siehe Abb. [15] - reinigen
Warm- und Kaltwasser seitenverkehrt	<ul style="list-style-type: none"> • Anschlüsse vertauscht • Zahnscheibe verdreht 	<ul style="list-style-type: none"> - Zahnscheibe ausrichten, siehe Abb. [21] - Zahnscheibe ausrichten, siehe Abb. [21]
Warmwasser drückt in die Kaltwasserleitung	<ul style="list-style-type: none"> • Rückflussverhinderer verschmutzt oder defekt 	<ul style="list-style-type: none"> - reinigen bzw. austauschen, siehe Abb. [10]

GB

Fault	Cause	Remedy
Fitting does not close	<ul style="list-style-type: none"> • flow is too small • cartridge defective • O-ring (A) damaged 	<ul style="list-style-type: none"> - test flow - exchange cartridge or possibly O-ring exchange, see Fig. [1-9] - exchange, see Fig. [7]
Fitting does not open	<ul style="list-style-type: none"> • stop valves closed • cartridge defective 	<ul style="list-style-type: none"> - open stop valves, see Fig. [15] - exchange cartridge or possibly O-ring exchange, see Fig. [1-9]
Flowtime too short or too long	<ul style="list-style-type: none"> • wrong adjustment • cartridge defective 	<ul style="list-style-type: none"> - regulate flow time, see Fig. [11] - exchange cartridge or possibly O-ring exchange, see Fig. [1-9]
Flow volume too small	<ul style="list-style-type: none"> • dirtstrainers soiled • angle stop valves not fully opened • shower head calcified 	<ul style="list-style-type: none"> - clean strainers, see Fig. [10] - open stop valves, see Fig. [15] - clean shower head
Hot and cold water side displaced	<ul style="list-style-type: none"> • connections changed • dial twisted 	<ul style="list-style-type: none"> - adjust dial, see Fig. [21] - adjust dial, see Fig. [21]
Hot water pushed into cold water line	<ul style="list-style-type: none"> • back flow preventer soiled or defective 	<ul style="list-style-type: none"> - clean or replace, see Fig. [10]

F

Pannes	Causes	Remèdes
La robinetterie ne ferme pas	<ul style="list-style-type: none"> • Débit trop faible • Cartouche défectueuse • Joint torique (A) défectueux 	<ul style="list-style-type: none"> - vérifier - changer la cartouche et évent. le joint torique, voir fig. [1-9] - changer, voir fig. [7]
La robinetterie n'ouvre pas	<ul style="list-style-type: none"> • Robinets d'arrêt fermés • Cartouche défectueuse 	<ul style="list-style-type: none"> - ouvrir, voir fig. [15] - changer la cartouche et évent. le joint torique, voir fig. [1-9]
Temps d'écoulement trop court ou trop long	<ul style="list-style-type: none"> • Mauvais réglage • Cartouche défectueuse 	<ul style="list-style-type: none"> - régler le temps d'écoulement, voir fig. [11] - changer la cartouche et évent. le joint torique, voir fig. [1-9]
Débit trop faible	<ul style="list-style-type: none"> • Filtres bouchés • Robinets d'arrêt étranglés • Tête de douche entartrée 	<ul style="list-style-type: none"> - nettoyer, voir fig. [10] - ouvrir, voir fig. [15] - nettoyer
Eau chaude et eau froide inversées	<ul style="list-style-type: none"> • Permutation des raccords • Roue crantée mal positionnée 	<ul style="list-style-type: none"> - ajuster la roue crantée, voir fig. [21] - ajuster la roue crantée, voir fig. [21]
L'eau chaude passe dans la canalisation d'eau froide	<ul style="list-style-type: none"> • Clapets anti-retours encrassés ou défectueux 	<ul style="list-style-type: none"> - nettoyer ou changer, voir fig. [10]

NL

Storing	Oorzaak	Oplossing
Kraan sluit niet	<ul style="list-style-type: none"> • Doorstroom te klein • Binnenwerk defect • O-Ring (A) beschadigd 	<ul style="list-style-type: none"> - Controleren - Binnenwerk en evt. O-ring vervangen, zie afb. [1-9] - Vervangen, zie afb. [7]
Kraan opent niet	<ul style="list-style-type: none"> • Stopkranen gesloten • Binnenwerk defect 	<ul style="list-style-type: none"> - Openen, zie afb. [15] - Binnenwerk en evt. O-ring vervangen, zie afb. [1-9]
Looptijd te kort of te lang	<ul style="list-style-type: none"> • Instelling niet juist • Binnenwerk defect 	<ul style="list-style-type: none"> - Looptijd instellen, zie afb. [11] - Binnenwerk en evt. O-ring vervangen, zie afb. [1-9]
Doorstroom te klein	<ul style="list-style-type: none"> • Zeven verstopt • Stopkranen niet goed open • Douche-kop verkalkt 	<ul style="list-style-type: none"> - Reinigen, zie afb. [10] - Openen, zie afb. [15] - Reinigen
Warm en koud water omgewisseld	<ul style="list-style-type: none"> • Aansluitingen verwisseld • Tandwiel verdraaid 	<ul style="list-style-type: none"> - Tandwiel goed zetten, zie afb. [21] - Tandwiel goed zetten, zie afb. [21]
Warm water stroomt in koudwaterleiding	<ul style="list-style-type: none"> • Terugloopstop vuil of defect 	<ul style="list-style-type: none"> - Reinigen of vervangen, zie afb. [10]

I

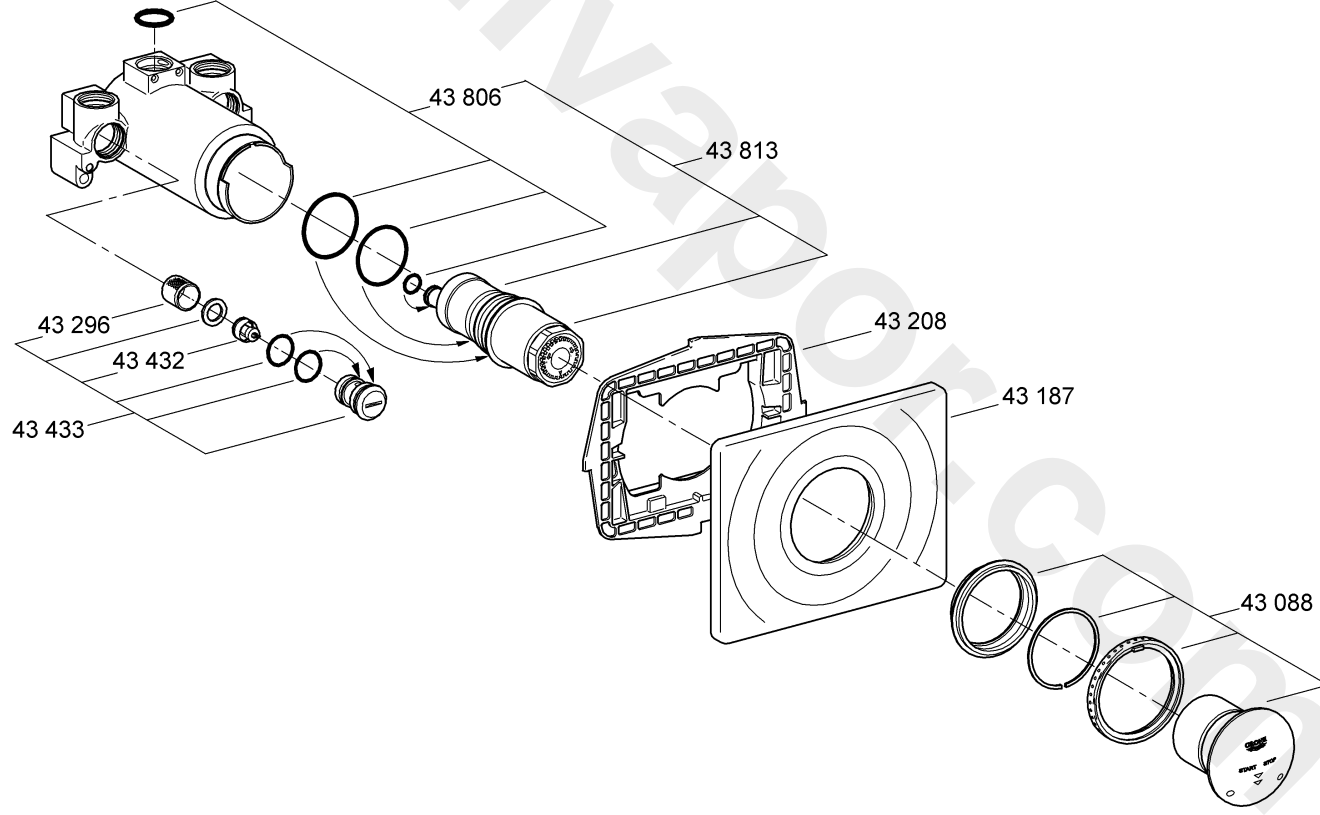
Guasto	Causa	Rimedio
Il rubinetto non chiude	<ul style="list-style-type: none"> • Portata scarsa • Cartuccia difettosa • O-Ring (A) danneggiato 	<ul style="list-style-type: none"> - controllo - sostituire la cartuccia o l'O-Ring, vedere fig. [1-9] - sostituire, vedere fig. [7]
Il rubinetto non apre	<ul style="list-style-type: none"> • Il rubinetto d'arresto è chiuso • Cartuccia difettosa 	<ul style="list-style-type: none"> - aprirlo, vedere fig. [15] - sostituire la cartuccia o l'O-Ring, vedere fig. [1-9]
Erogazione troppo breve o troppo lunga	<ul style="list-style-type: none"> • Taratura sbagliata • Cartuccia difettosa 	<ul style="list-style-type: none"> - tarare la durata dell'erogazione, vedere fig. [11] - sostituire la cartuccia o l'O-Ring, vedere fig. [1-9]
Portata scarsa	<ul style="list-style-type: none"> • Filtri otturati • Rubinetti d'arresto parzialmente aperti • Calcare nel soffione doccia 	<ul style="list-style-type: none"> - pulire, vedere fig. [10] - aprire, vedere fig. [15] - pulire
Erogazione calda e fredda invertite	<ul style="list-style-type: none"> • Attacchi invertiti • Rotellina dentata invertita 	<ul style="list-style-type: none"> - regolare la rotellina dentata, vedere fig. [21] - regolare la rotellina dentata, vedere fig. [21]
L'acqua calda preme nella tubazione acqua fredda	<ul style="list-style-type: none"> • Valvola di ritegno sporca o difettosa 	<ul style="list-style-type: none"> - pulire o sostituire, vedere fig. [10]

E

Fallo	Causa	Remedio
El grifo no cierra	<ul style="list-style-type: none"> • Caudal excesivamente bajo • Cartucho defectuoso • Junta tórica (A) defectuosa 	<ul style="list-style-type: none"> - Comprobar - Sustituir cartucho y junta tórica, véase la fig. [1-9] - Sustituir, véase la fig. [7]
El grifo no abre	<ul style="list-style-type: none"> • Llaves de paso cerradas • Cartucho defectuoso 	<ul style="list-style-type: none"> - Abrir, véase la fig. [15] - Sustituir cartucho y junta tórica, véase la fig. [1-9]
Tiempo de cierre excesivamente corto o largo	<ul style="list-style-type: none"> • Regulación incorrecta • Cartucho defectuoso 	<ul style="list-style-type: none"> - Regular, véase la fig. [11] - Sustituir cartucho y junta tórica, véase la fig. [1-9]
Caudal excesivamente bajo	<ul style="list-style-type: none"> • Filtros sucios • Llaves de paso semicerradas • Rociador de ducha calcificado 	<ul style="list-style-type: none"> - Limpiar, véase la fig. [10] - Abrir, véase la fig. [15] - Limpiar
Agua caliente y fría al revés	<ul style="list-style-type: none"> • Conexiones cambiadas • Rueda dentada girada 	<ul style="list-style-type: none"> - Ajustar rueda dentada, véase la fig. [21] - Ajustar rueda dentada, véase la fig. [21]
El agua caliente pasa a la tubería del agua fría	<ul style="list-style-type: none"> • Válvula de retención sucia o defectuosa 	<ul style="list-style-type: none"> - Limpiar o sustituir, véase la fig. [10]

TR

Arıza	Nedeni	Çözümü
Musluk kapanmıyor	<ul style="list-style-type: none">• Akıntı çok az• Hartuç arızalı• O bileziği (A) hasarlı	<ul style="list-style-type: none">- Kontrol ederek- Hartuç ve gerekirse O bileziğini değiştirerek, pozri obr. [1-9]- Değiştirerek, pozri obr. [7]
Musluk açılmıyor	<ul style="list-style-type: none">• Ön kapatma valfleri kapalı• Hartuç arızalı	<ul style="list-style-type: none">- Açarak, pozri obr. [15]- Hartuç ve gerekirse O bileziğini değiştirerek, pozri obr. [1-9]
İşletme müddeti çok kısa veya çok uzun	<ul style="list-style-type: none">• Ayarı yanlış• Hartuç arızalı	<ul style="list-style-type: none">- İşletme müddetini ayarlayarak, pozri obr. [11]- Hartuç ve gerekirse O bileziğini değiştirerek, pozri obr. [1-9]
Akıntı çok az	<ul style="list-style-type: none">• Tortu süzgeçleri tıkalı• Ön kapatma valfleri kısılı• Duş kafası kireçlendi	<ul style="list-style-type: none">- Temizleyerek, pozri obr. [10]- Açarak, pozri obr. [15]- Temizleyerek
Sıcak ve soğuk su hatları karıştı	<ul style="list-style-type: none">• Bağlanılar karıştırıldı• Dişli çark burkuldu	<ul style="list-style-type: none">- Dişli çarkı düzelterek, pozri obr. [21]- Dişli çarkı düzelterek, pozri obr. [21]
Sıcak su soğuk su borusuna basıç yapıyor	<ul style="list-style-type: none">• Geri akma engeli kirlendi veya bozuk	<ul style="list-style-type: none">- Temizleyerek veya değiştirerek, pozri obr. [10]



D
☎ +49 571 3989 333
impressum@grohe.de

A
☎ +43 1 68060
info-at@grohe.com

AUS
Argent Sydney
☎ +(02) 8394 5800
Argent Melbourne
☎ +(03) 9682 1231

B
☎ +32 16 230660
info.be@grohe.com

BG
☎ +359 2 9719959
grohe-bulgaria@grohe.com

CAU
☎ +99 412 497 09 74
info-az@grohe.com

CDN
☎ +1 888 6447643
info@grohe.ca

CH
☎ +41 448777300
info@grohe.ch

CN
☎ +86 21 63758878

CY
☎ +357 22 465200
info@grome.com

CZ
☎ +420 277 004 190
grohe-cz@grohe.com

DK
☎ +45 44 656800
grohe@grohe.dk

E
☎ +34 93 3368850
grohe@grohe.es

EST
☎ +372 6616354
grohe@grohe.ee

F
☎ +33 1 49972900
marketing-fr@grohe.com

FIN
☎ +358 10 8201100
teknocalor@teknocalor.fi

GB
☎ +44 871 200 3414
info-uk@grohe.com

GR
☎ +30 210 2712908
nsapountzis@ath.forthnet.gr

H
☎ +36 1 2388045
info-hu@grohe.com

HK
☎ +852 2969 7067
info@grohe.hk

I
☎ +39 2 959401
info-it@grohe.com

IND
☎ +91 124 4933000
customercare.in@grohe.com

IS
☎ +354 515 4000
jonst@byko.is

J
☎ +81 3 32989730
info@grohe.co.jp

KZ
☎ +7 727 311 07 39
info-cac@grohe.com

LT
☎ +372 6616354
grohe@grohe.ee

LV
☎ +372 6616354
grohe@grohe.ee

MAL
☎ +1 800 80 6570
info-singapore@grohe.com

N
☎ +47 22 072070
grohe@grohe.no

NL
☎ +31 79 3680133
vragen-nl@grohe.com

NZ
☎ +09/373 4324

P
☎ +351 234 529620
commercial-pt@grohe.com

PL
☎ +48 22 5432640
biuro@grohe.com.pl

RI
☎ +62 21 2358 4751
info-singapore@grohe.com

RO
☎ +40 21 2125050
info-ro@grohe.com

ROK
☎ +82 2 559 0790
info-singapore@grohe.com

RP
☎ +63 2 8041617

RUS
☎ +7 495 9819510
info@grohe.ru

S
☎ +46 771 141314
grohe@grohe.se

SGP
☎ +65 6 7385585
info-singapore@grohe.com

SK
☎ +420 277 004 190
grohe-cz@grohe.com

T
☎ +66 2610 3685
info-singapore@grohe.com

TR
☎ +90 216 441 23 70
GroheTurkey@grome.com

UA
☎ +38 44 5375273
info-ua@grohe.com

USA
☎ +1 800 4447643
us-customerservice@grohe.com

VN
☎ +84 8 5413 6840
info-singapore@grohe.com

AL **BiH** **HR** **KS**
ME **MK** **SLO** **SRB**
☎ +385 1 2911470
adria-hr@grohe.com

**Eastern Mediterranean,
Middle East - Africa
Area Sales Office:**
☎ +357 22 465200
info@grome.com

IR **OM** **UAE** **YEM**
☎ +971 4 3318070
grohedubai@grome.com

Far East Area Sales Office:
☎ +65 6311 3600
info@grohe.com.sg